

Speed Control Motor

25 Watt

Frame Size: 80 mm

Continuous Rating, Wide Speed Range,
Speed Variation Through Electronic Unit,
Taco Generator for Feedback.
Rotates in Clockwise or Counter Clockwise Direction.
Terminal Box or Open Lead Wires for Connection.



Specifications:

Model	Supply Voltage	Frequency Hz	Current A	Starting Torque N.m	Rated Torque (N.m)		Speed Range
					1200 RPM	90 RPM	
80 SW 4 <input type="checkbox"/> 25	Single Phase 110 V	60	0.74	0.10	0.20	0.05	90-1600
80 SX 4 <input type="checkbox"/> 25	Single Phase 230 V	50	0.35	0.11	0.20	0.04	90-1400

Type Of Shaft, G for Gear Shaft, R for Round Shaft

Gearmotor Torque Table:

50 Hz

Unit : N.m

Ratio	3	3.6	5	6	7.5	9	12.5	15	18	25	30	36	50	60	75	90	100	120	150	180
1200 RPM	0.43	0.52	0.72	0.86	1.08	1.29	1.62	1.94	2.33	2.80	3.49	4.20	4.19	6.29	7.87	9.44	10.4	12.5	15.6	18.8
90 RPM	0.08	0.09	0.14	0.16	0.21	0.25	0.32	0.38	0.46	0.57	0.69	0.83	1.04	1.25	1.56	1.88	2.09	2.51	3.14	3.77

60 Hz

Unit : N.m

Ratio	3	3.6	5	6	7.5	9	12.5	15	18	25	30	36	50	60	75	90	100	120	150	180
1200 RPM	0.43	0.52	0.72	0.86	1.08	1.29	1.62	1.94	2.33	2.80	3.49	4.20	4.19	6.29	7.87	9.44	10.4	12.5	15.6	18.8
90 RPM	0.10	0.12	0.17	0.21	0.26	0.32	0.40	0.48	0.57	0.72	0.87	1.04	1.31	1.56	1.96	2.36	2.62	3.14	3.93	4.72

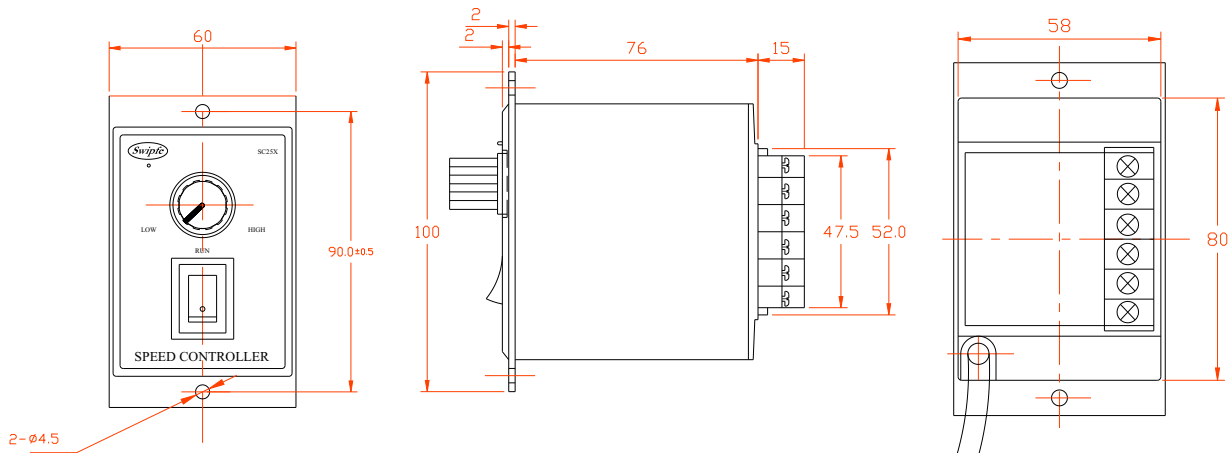
The Gear boxes are sold separately.

The speed of geared motor is calculated by dividing motor's synchronous speed by the gear ratio.
The actual speed is less than the displayed value, depending upon the load.

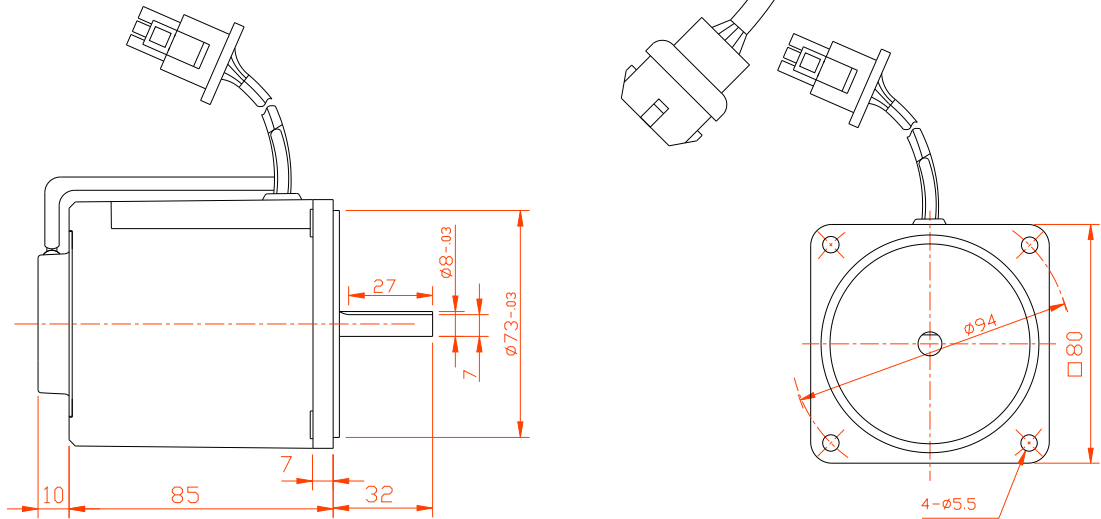
Characteristics, specifications and dimensions are subject to change without notice.

Dimensions:

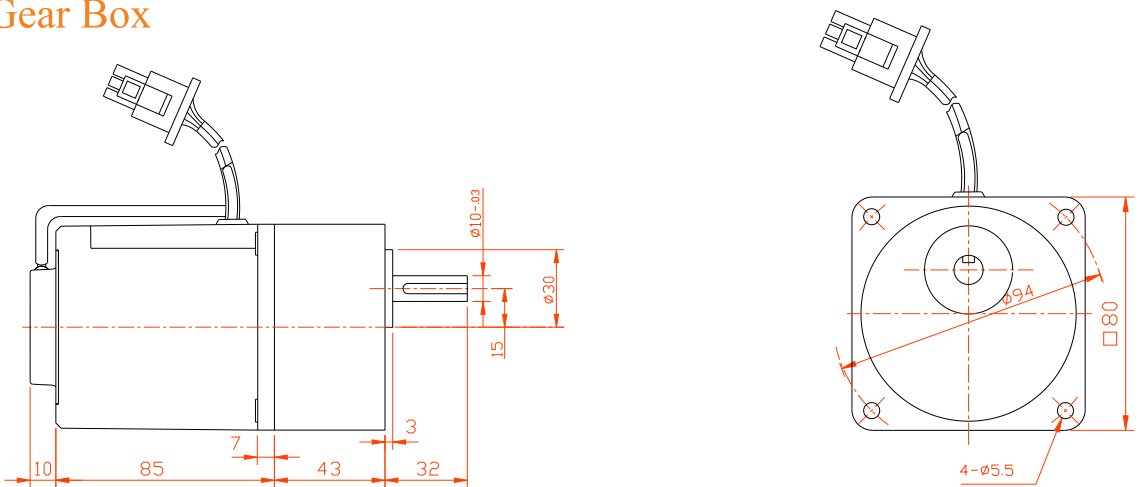
Speed Control Unit



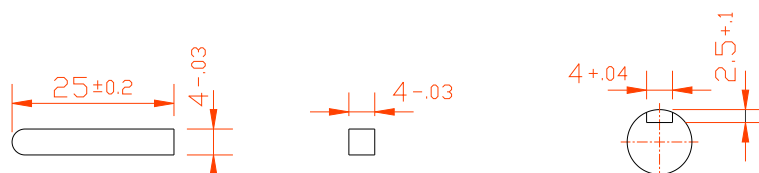
Motor Round Shaft



Motor Gear Box



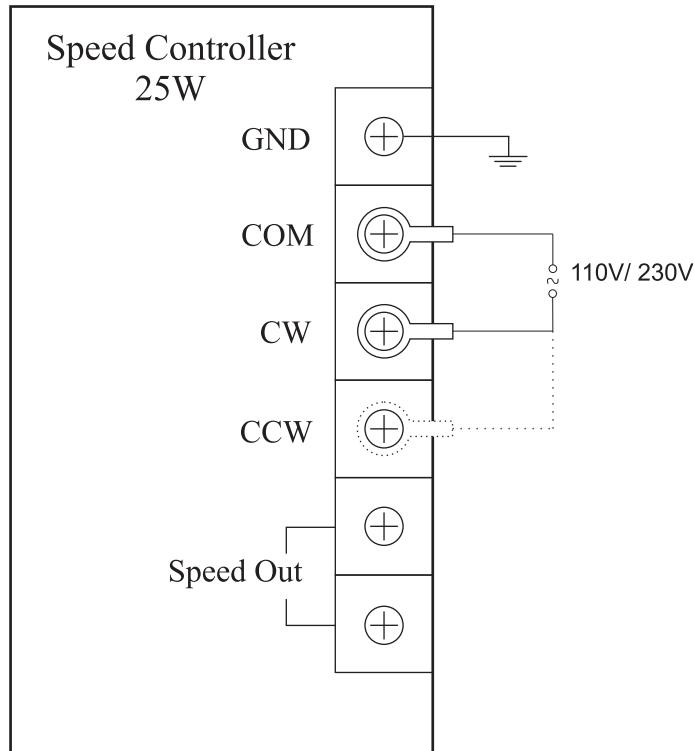
Key & Keyway



Speed Control Motor

Wiring Diagram

Wiring Diagram for Single Phase Motor



In the diagram above, the motor shaft rotates in the clockwise direction. To change the direction make connection with dotted lines.

Change the direction of the motor only after it stops rotating. If the attempt is made during rotation, motor may ignore the reversing command or change the direction after some time.